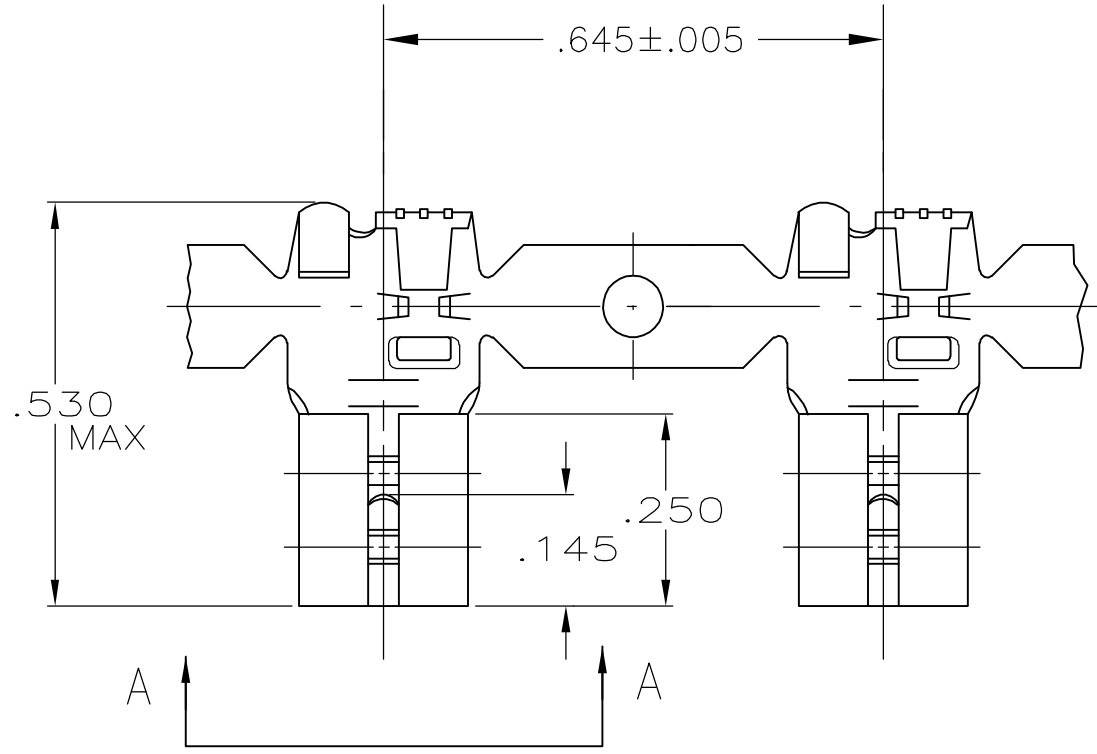
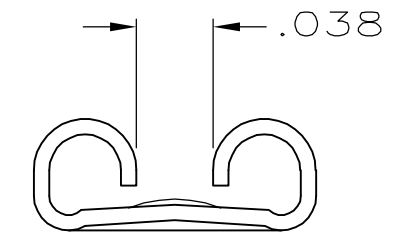


THIS DRAWING IS UNPUBLISHED. RELEASED FOR PUBLICATION
 © COPYRIGHT BY TYCO ELECTRONICS CORPORATION. ALL RIGHTS RESERVED.

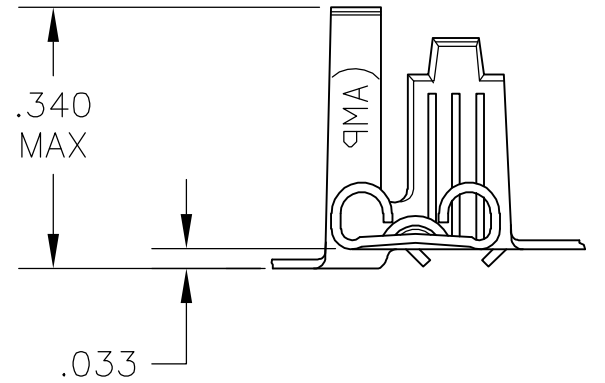
LOC	DIST	REVISIONS			
P	LTR	DESCRIPTION	DATE	DWN	APVD
AF	50	N1	REV PER ECR 06-028943	13DEC06	JR JK



- 1- CONTINUOUS STRIP ON REELS.
- 2- WIRE SIZE IS #20-#16 AWG
- 3- INSULATION RANGE IS .110-.170 DIA
- 4- MATING TAB THK IS .020±.001



VIEW A-A



SILVER	.012 BRASS	42486-4
NICKEL	.012 STEEL	42486-3
TIN	.012 BRASS	42486-2
---	.012 BRASS	42486-1
FINISH	MATERIAL	PART NO.

THIS DRAWING IS A CONTROLLED DOCUMENT.		DWN JR RUTH 2/7/86	Tyco Electronics Corporation Harrisburg, PA 17105-3608		
DIMENSIONS: INCHES		CHK G YETTER 2/7/86			
TOLERANCES UNLESS OTHERWISE SPECIFIED:		APVD R KUZO 2/7/86	NAME RECEPTACLE, FASTON, FLAG, .187 SERIES		
0 PLC ± - 1 PLC ± - 2 PLC ± - 3 PLC ± .015 4 PLC ± - ANGLES ± -		PRODUCT SPEC -	APPLICATION SPEC -		
MATERIAL SEE TABLE	FINISH SEE TABLE	WEIGHT -	SIZE A3	CAGE CODE 00779	DRAWING NO C-42486
CUSTOMER DRAWING			SCALE 4:1	SHEET 1 OF 1	REV N1